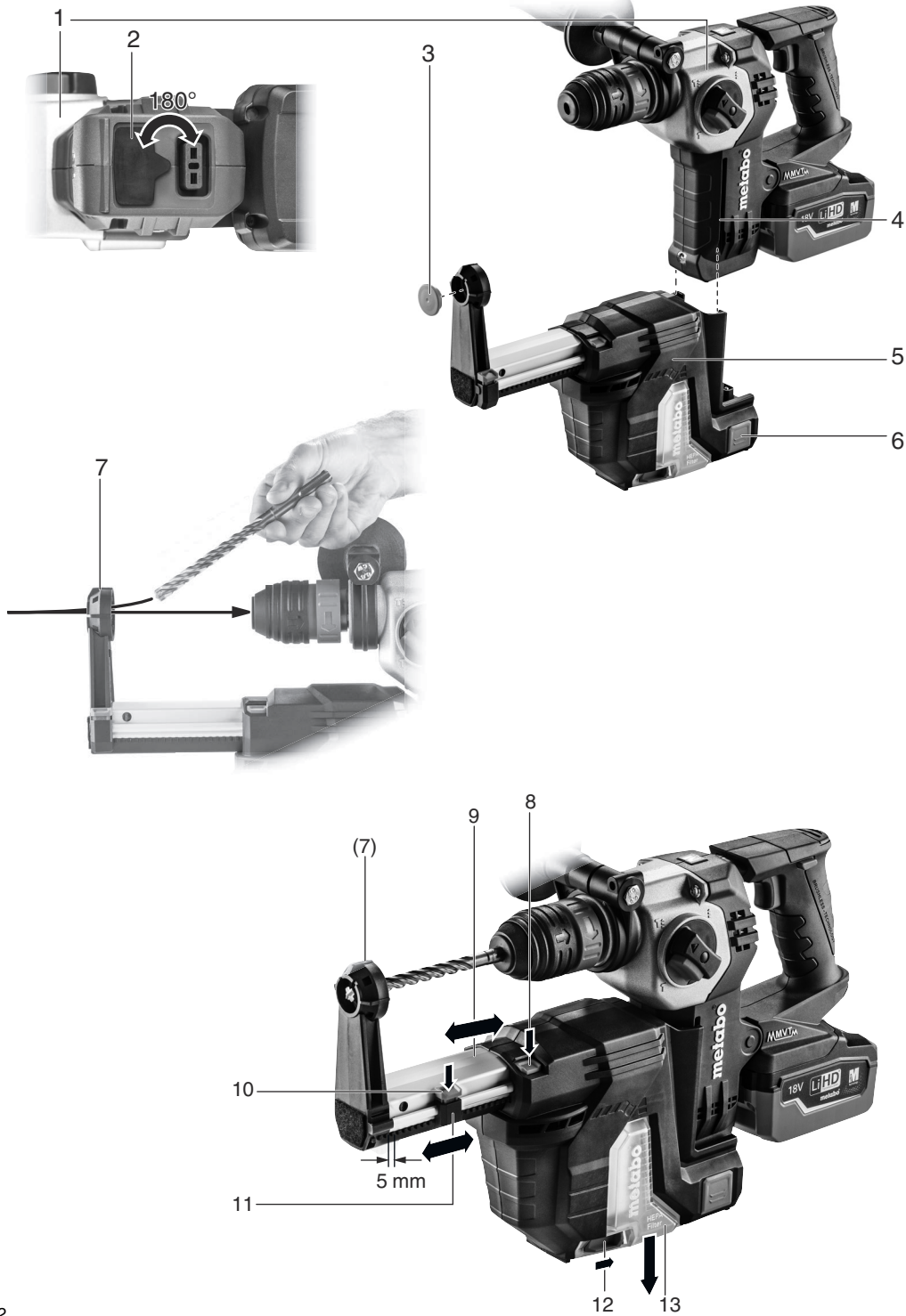


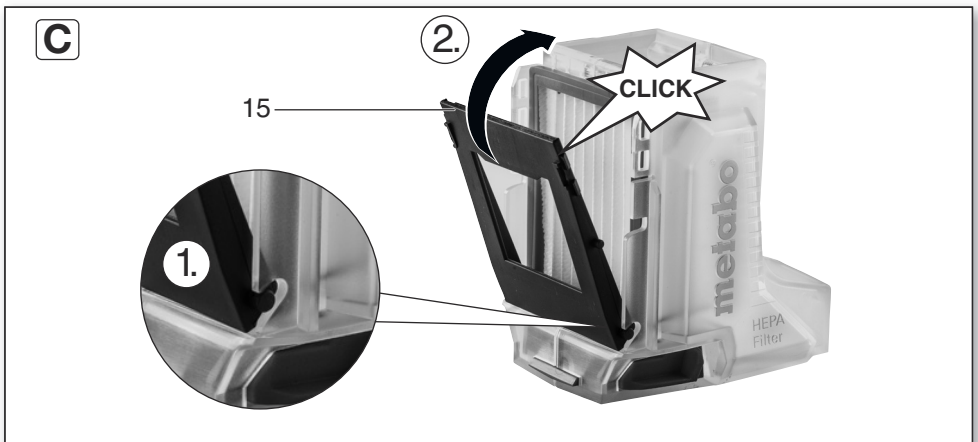
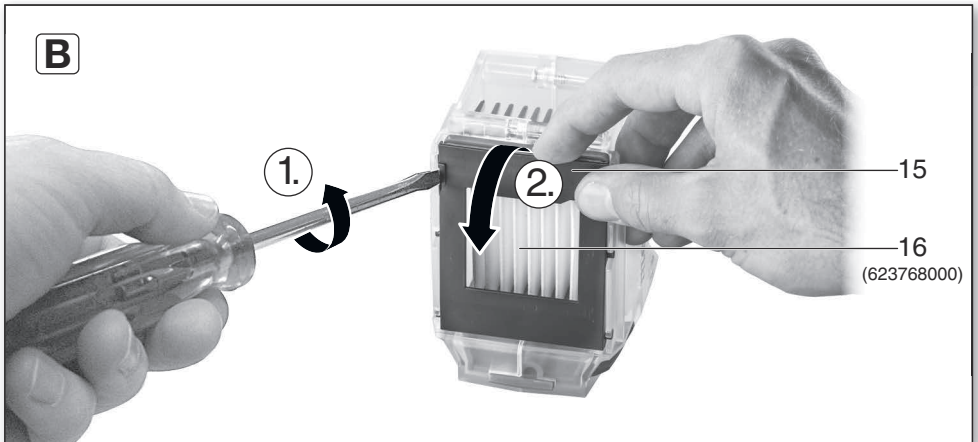
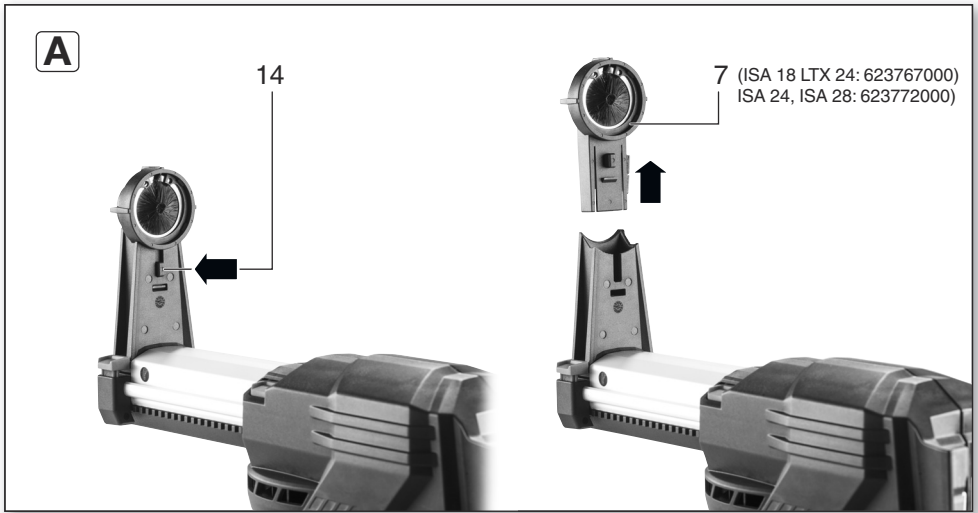
ISA 18 LTX 24
ISA 24
ISA 28

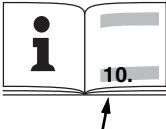


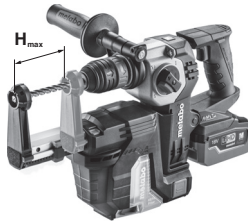
en Operating Instructions 5
fr Mode d'emploi 9

es Instrucciones de manejo 14





	ISA 18 LTX 24 Serial Number: 31341..	ISA 24 Serial Number: 31357..	ISA 28 Serial Number: 31358..
P₁	65 W		
V_l/min	310 l/min		
m	2.4 lbs (1,1 kg)		
H_{max}	$3 \frac{25}{32}$ " (96 mm)		
T_{max}	$3 \frac{19}{32}$ " (91 mm)		
D	$\frac{3}{16}$ " - $\frac{5}{8}$ " (5 mm - 16 mm)		



Metabowerke GmbH,
 Postfach 1229
 Metabo-Allee 1
 D-72622 Nuertingen
 Germany

Operating Instructions

1. Specified Conditions of Use

ISA 18 LTX 24: The integrated dust extraction is designed for use with the Metabo combination hammer KHA 18 LTX BL 24 Quick.

ISA 24: The integrated dust extraction is designed for use with the Metabo combination hammer KH 18 LTX BL 24 Q.

ISA 28: The integrated dust extraction is designed for use with the Metabo combination hammer KH 18 LTX BL 28 Q.

Only use the integrated dust extraction when hammer drilling into concrete, stone or brickwork. Do not use during chiselling work.

Not suitable for extracting dust when drilling into metal, wood, plastic or similar materials. Not suitable for extracting hazardous dust or vapours (e.g. asbestos).

The machine is only suitable for extracting dry dust.

The user bears sole responsibility for any damage caused by inappropriate use.

Generally accepted accident prevention regulations and the enclosed safety information must be observed.

2. General Safety Information



For your own protection and for the protection of your power tool, pay attention to all parts of the text that are marked with this symbol!



WARNING – Reading the operating instructions will reduce the risk of injury.

Pass on your power tool only together with these documents.

General Power Tool Safety Warnings



WARNING Read all safety warnings, instructions, illustrations and specifications provided with this power tool. Failure to follow all instructions listed below may result in electric shock, fire and/or serious injury. Save all warnings and instructions for future reference. The term "power tool" in the warnings refers to your mainsoperated (corded) power tool or battery-operated (cordless) power tool.

2.1 Work area safety

- Keep work area clean and well lit.** Cluttered or dark areas invite accidents.
- Do not operate power tools in explosive atmospheres, such as in the presence of flammable liquids, gases or dust.** Power tools create sparks which may ignite the dust or fumes.
- Keep children and bystanders away while operating a power tool.** Distractions can cause you to lose control.

2.2 Electrical safety

- Power tool plugs must match the outlet. Never modify the plug in any way. Do not use any adapter plugs with earthed (grounded) power tools.** Unmodified plugs and matching outlets will reduce risk of electric shock.
- Avoid body contact with earthed or grounded surfaces, such as pipes, radiators, ranges and refrigerators.** There is an increased risk of electric shock if your body is earthed or grounded.
- Do not expose power tools to rain or wet conditions.** Water entering a power tool will increase the risk of electric shock.
- Do not abuse the cord. Never use the cord for carrying, pulling or unplugging the power tool. Keep cord away from heat, oil, sharp edges or moving parts.** Damaged or entangled cords increase the risk of electric shock.
- When operating a power tool outdoors, use an extension cord suitable for outdoor use.** Use of a cord suitable for outdoor use reduces the risk of electric shock.
- If operating a power tool in a damp location is unavoidable, use a residual current device (RCD) protected supply.** Use of an RCD reduces the risk of electric shock.

2.3 Personal safety

- Stay alert, watch what you are doing and use common sense when operating a power tool. Do not use a power tool while you are tired or under the influence of drugs, alcohol or medication.** A moment of inattention while operating power tools may result in serious personal injury.
- Use personal protective equipment. Always wear eye protection.** Protective equipment such as a dust mask, non-skid safety shoes, hard hat or hearing protection used for appropriate conditions will reduce personal injuries.
- Prevent unintentional starting. Ensure the switch is in the off-position before connecting to power source and/or battery pack, picking up or carrying the tool.** Carrying power tools with your finger on the switch or energising power tools that have the switch on invites accidents.
- Remove any adjusting key or wrench before turning the power tool on.** A wrench or a key left attached to a rotating part of the power tool may result in personal injury.
- Do not overreach. Keep proper footing and balance at all times.** This enables better control of the power tool in unexpected situations.
- Dress properly. Do not wear loose clothing or jewellery. Keep your hair and clothing away from moving parts.** Loose clothes, jewellery or long hair can be caught in moving parts.
- If devices are provided for the connection of dust extraction and collection facilities, ensure these are connected and properly used.** Use of dust collection can reduce dust-related hazards.
- Do not let familiarity gained from frequent use of tools allow you to become complacent**

and ignore tool safety principles. A careless action can cause severe injury within a fraction of a second.

2.4 Power tool use and care

a) **Do not force the power tool. Use the correct power tool for your application.** The correct power tool will do the job better and safer at the rate for which it was designed.

b) **Do not use the power tool if the switch does not turn it on and off.** Any power tool that cannot be controlled with the switch is dangerous and must be repaired.

c) **Disconnect the plug from the power source and/or remove the battery pack, if detachable, from the power tool before making any adjustments, changing accessories, or storing power tools.** Such preventive safety measures reduce the risk of starting the power tool accidentally.

d) **Store idle power tools out of the reach of children and do not allow persons unfamiliar with the power tool or these instructions to operate the power tool.** Power tools are dangerous in the hands of untrained users.

e) **Maintain power tools and accessories.** Check for misalignment or binding of moving parts, breakage of parts and any other condition that may affect the power tool's operation. If damaged, have the power tool repaired before use. Many accidents are caused by poorly maintained power tools.

f) **Keep cutting tools sharp and clean.** Properly maintained cutting tools with sharp cutting edges are less likely to bind and are easier to control.

g) **Use the power tool, accessories and tool bits etc. in accordance with these instructions, taking into account the working conditions and the work to be performed.** Use of the power tool for operations different from those intended could result in a hazardous situation.

h) **Keep handles and grasping surfaces dry, clean and free from oil and grease.** Slippery handles and grasping surfaces do not allow for safe handling and control of the tool in unexpected situations.

2.5 Battery tool use and care

a) **Recharge only with the charger specified by the manufacturer.** A charger that is suitable for one type of battery pack may create a risk of fire when used with another battery pack.

b) **Use power tools only with specifically designated battery packs.** Use of any other battery packs may create a risk of injury and fire.

c) **When battery pack is not in use, keep it away from other metal objects, like paper clips, coins, keys, nails, screws or other small metal objects, that can make a connection from one terminal to another.** Shorting the battery terminals together may cause burns or a fire.

d) **Under abusive conditions, liquid may be ejected from the battery; avoid contact. If contact accidentally occurs, flush with water. If liquid contacts eyes, additionally seek medical help.** Liquid ejected from the battery may cause irritation or burns.

e) **Do not use a battery pack or tool that is damaged or modified.** Damaged or modified batteries may exhibit unpredictable behaviour resulting in fire, explosion or risk of injury.

f) **Do not expose a battery pack or tool to fire or excessive temperature.** Exposure to fire or temperature above 130 °C may cause explosion.

g) **Follow all charging instructions and do not charge the battery pack or tool outside the temperature range specified in the instructions.** Charging improperly or at temperatures outside the specified range may damage the battery and increase the risk of fire.

2.6 Service

a) **Have your power tool serviced by a qualified repair person using only identical replacement parts.** This will ensure that the safety of the power tool is maintained.

b) **Never service damaged battery packs.** Service of battery packs should only be performed by the manufacturer or authorized service providers.

3. Special Safety Instructions

CAUTION! The device is not suitable for extracting hazardous dust.

CAUTION! The machine is only suitable for extracting dry dust and should not be used or stored outside in wet conditions.

In case of a defective integrated dust extraction: Remove the integrated dust extraction from the rotary hammer.

Remove the battery pack from the machine before making any adjustments, changing tools, maintaining or cleaning.

Wear ear protectors. Exposure to noise can cause hearing loss.

Always wear protective goggles, gloves and sturdy shoes when working with your integrated dust extraction.

Do not touch the rotating tool!

The dust that collects in the integrated dust extraction may contain fine quartz dust as well as other hazardous substances. Fine quartz dust is carcinogenic and should not enter the body. When emptying the dust cassette and disposing of dust, avoid disturbing and breathing the dust in.

Additional Warnings:

⚠ WARNING Some dust created by power sanding, sawing, grinding, drilling, and other construction activities contains chemicals known to cause cancer, birth defects or other reproductive harm. Some examples of these chemicals are:

- Lead from lead-based paints,
- Crystalline silica from bricks and cement and other masonry products, and
- Arsenic and chromium from chemically treated lumber.

Your risk from these exposures varies, depending on how often you do this type of work. To reduce your exposure to these chemicals: work in a well ventilated area, and work with approved safety equipment, such as those dust masks that are specially designed to filter out microscopic particles.

Symbols on the tool:

V volts
 == direct current

4. Overview

See page 2.

- 1 Rotary hammer
- 2 Rubber cover of the rotary hammer
- 3 Transport cover cap
- 4 Guide grooves (for pushing on the integrated dust extraction)
- 5 Integrated dust extraction
- 6 Release knob (for removing the integrated dust extraction from the rotary hammer)
- 7 Suction head
- 8 Pushbutton to limit the stroke
- 9 Telescopic rod
- 10 Pushbutton to adjust the drill depth stop.
- 11 Drill depth stop
- 12 Dust cassette
- 13 Release slider (to remove the dust cassette)
- 14 Release knob (to remove the suction head)
- 15 Clamping flange
- 16 HEPA filter (H12 according to EN 1822-1998)

5. Use

5.1 Attaching to the rotary hammer / removing / transporting

Attaching:

1. **Important! Lift the rubber cover (2) of the rotary hammer (1) and turn by 180° to the side.** This provides access to the power supply.
2. Insert the dust extraction (5) from below into the guide grooves (4) and push on until it engages.

Removal:

1. Press and hold in the release knob switch (6). Remove the integrated dust extraction.
2. Cover again the power supply of the rotary hammer (1) with the rubber cover (2). (For the protection against penetrating dust).

Transporting in the case:

To prevent dust from escaping during transport in the case: Put transport cover cap (3) on the suction head (6).

5.2 Inserting a drill bit

1. Insert the drill bit through the suction head (7) with the tip facing backwards.
2. Insert the shaft of the drill bit in the chuck (as described in the operating instructions for the rotary drill).

5.3 Adjusting the stroke limitation (if required)

Thanks to the stroke limitation, the integrated dust extraction can be adapted to short drill bits.

Press and keep pressed the pushbutton (8) of the stroke limitation. Push the telescopic rod (9) and thus adjust the desired stroke limitation (in 5 mm steps).

Note: When the integrated dust extraction is not used, leave the stroke limitation in the rear starting position to take load off the inside compression spring.

5.4 Adjusting the drill depth stop (if required)

Press and keep pressed the pushbutton (10) of the drill depth stop (11). Move the drill depth stop (11) to the max. drilling depth.

5.5 Switching On and Off

Switch on: Press the trigger on the rotary hammer: the integrated dust extraction switches on automatically.

Switch off: Release the trigger of the rotary hammer: the integrated dust extraction switches off automatically.

The switch-off delay of about 2 sec. causes dust remains on the drill bit, in the bore and in the extraction system to be extracted into the dust cassette.


5.6 Drilling with integrated dust extraction


1. Retract the telescopic rod (9) until the drill bit protrudes from the front.
2. Place the drill bit at the required position.
3. Place the suction head (7) flat on the surface.
4. Hold the machine vertically to the drilling surface (e.g. wall) so that the suction head (7) remains flat on the surface.
5. Hold the machine firmly, switch on (pilot drill slowly) and drill the hole.
6. Slowly remove the drill bit from the hole.
7. Switch off the machine.


6. Cleaning, maintenance

6.1 Empty the dust cassette

If the dust cassette is full (12) or if the suction power diminishes, empty the dust cassette (12).

 Ensure that drilling dust cannot penetrate your body or harm other persons.

 Keep the machine upright, do not lay down. If the dust cassette (12) is removed when the machine is horizontal, drilling dust can escape!

 Do not remove the filter (16) from the dust cassette (12). Do not blow out with compressed air!

1. Hold the machine horizontally and briefly switch on the machine. This extracts dust remains in the extraction system to the dust cassette.
2. Switch off the machine. Remove battery pack from machine.

3. Push the unlocking slide (13) towards the rear and pull dust cassette (12) downwards to remove.
4. Empty the dust cassette (12) by slightly tapping on it.
5. Slide in the dust cassette (12) until it engages .

6.2 Motor cleaning

Occasionally remove the dust cassette (12) again. If dust accumulated at the air vents (on the inside of the integrated dust extraction): vacuum thoroughly.

6.3 Replace worn suction head (7)

1. See page 3, fig. A.
Press and hold the release knob (14). Pull off the suction head (7) upwards and remove.
2. Push in the new suction head until it engages.

6.4 Replace worn filter (16)

1. See page 3, fig. B.
Position a Phillips screwdriver, as shown, and turn a bit: this loosens the bracket of the clamping flange (15) and the clamping flange (15) can be removed.
If no screwdriver is available, the clamping flange (15) can also be removed from its bracket without tools.
2. Remove the old filter (16) and insert a new filter (order no.: 6.23768).
3. See page 3, fig. C.
Attach the clamping flange (15) as shown: suspend at the bottom from the pivot bearing and press upwards until it engages.

P_1	= Rated input power
$V_{l/min}$	= Suction power
m	= weight
H_{max}	= maximum working stroke or telescopic stroke
T_{max}	= maximum drilling depth
D	= drilling bit diameter

The technical specifications quoted are subject to tolerances (in compliance with the relevant valid standards).

== Direct current

During operation the noise level can exceed 80 dB(A).



Wear ear protectors!

7. Accessories

Use only genuine Metabo accessories.

Use only accessories which fulfil the requirements and specifications listed in these operating instructions.

See www.metabo.com or the catalogue for a complete range of accessories.

8. Repairs

 Repairs to electrical tools must only be carried out by qualified electricians!

Contact your local Metabo representative if you have Metabo power tools requiring repairs. See www.metabo.com for addresses.

You can download a list of spare parts from www.metabo.com.

9. Environmental Protection

Observe national regulations on environmentally compatible disposal and on the recycling of disused machines, packaging and accessories.

10. Technical Specifications

Explanatory notes on the specifications on page 3.

Changes due to technological progress reserved.

Mode d'emploi

1. Utilisation conforme à l'usage

ISA 18 LTX 24: Le système d'aspiration de poussières intégré est conçu pour une utilisation avec le marteau combiné Metabo KHA 18 LTX BL 24 Quick.

ISA 24: Le système d'aspiration de poussières intégré est conçu pour une utilisation avec le marteau combiné Metabo KH 18 LTX BL 24 Q.

ISA 28: Le système d'aspiration de poussières intégré est conçu pour une utilisation avec le marteau combiné Metabo KH 18 LTX BL 28 Q.

Le système d'aspiration de poussières intégré doit uniquement être utilisé pour les travaux de perçage avec des marteaux perforateurs dans le béton, la pierre ou la maçonnerie. Ne pas l'utiliser pour le burinage.

Ne convient pas à l'aspiration de poussières en provenance de travaux de perçage sur métal, bois, plastique ou matières assimilées. Ne convient pas à l'aspiration de poussières ou vapeurs nocives pour la santé (par ex. amiante).

Cet appareil est uniquement destiné à l'aspiration à sec.

L'utilisateur est entièrement responsable de tous les dommages résultant d'une utilisation non conforme.

Il est impératif de respecter les consignes générales de prévention contre les accidents ainsi que les consignes de sécurité ci-jointes.

2. Consignes générales de sécurité



Dans l'intérêt de votre propre sécurité et afin de protéger votre outil électrique, respecter les passages de texte marqués de ce symbole !



AVERTISSEMENT – Lire la notice d'utilisation afin d'éviter tout risque de blessure.

Remettre l'outil électrique uniquement accompagné de ces documents.

Avertissements de sécurité généraux pour l'outil électrique



AVERTISSEMENT Lire tous les avertissements de sécurité, les instructions, les illustrations et les spécifications fournis avec cet outil électrique. Ne pas suivre les instructions énumérées ci-dessous peut provoquer un choc électrique, un incendie et/ou une blessure sérieuse. **Conserver tous les avertissements et toutes les instructions pour pouvoir s'y reporter ultérieurement.** Le terme « outil électrique » dans les avertissements fait référence à votre outil électrique alimenté par le secteur (avec cordon d'alimentation) ou votre outil électrique fonctionnant sur batterie (sans cordon d'alimentation).

2.1 Sécurité de la zone de travail

- Conserv**er la zone de travail propre et bien éclairée. Les zones en désordre ou sombres sont propices aux accidents.
- Ne pas faire fonctionner les outils électriques en atmosphère explosive, par exemple en présence de liquides inflammables, de gaz ou de poussières.** Les outils électriques produisent des étincelles qui peuvent enflammer les poussières ou les fumées.
- Maintenir les enfants et les personnes présentes à l'écart pendant l'utilisation de l'outil électrique.** Les distractions peuvent vous faire perdre le contrôle de l'outil.

2.2 Sécurité électrique

- Il faut que les fiches de l'outil électrique soient adaptées au socle. Ne jamais modifier la fiche de quelque façon que ce soit. Ne pas utiliser d'adaptateurs avec des outils électriques à branchement de terre.** Des fiches non modifiées et des socles adaptés réduisent le risque de choc électrique.
- Éviter tout contact du corps avec des surfaces reliées à la terre telles que les tuyaux, les radiateurs, les cuisinières et les réfrigérateurs.** Il existe un risque accru de choc électrique si votre corps est relié à la terre.
- Ne pas exposer les outils électriques à la pluie ou à des conditions humides.** La pénétration d'eau à l'intérieur d'un outil électrique augmente le risque de choc électrique.
- Ne pas maltraiter le cordon. Ne jamais utiliser le cordon pour porter, tirer ou débrancher l'outil électrique. Maintenir le cordon à l'écart de la chaleur, du lubrifiant, des arêtes vives ou des parties en mouvement.** Des cordons endommagés ou emmêlés augmentent le risque de choc électrique.
- Lorsqu'on utilise un outil électrique à l'extérieur, utiliser un prolongateur adapté à l'utilisation extérieure.** L'utilisation d'un cordon adapté à l'utilisation extérieure réduit le risque de choc électrique.
- Si l'usage d'un outil électrique dans un emplacement humide est inévitable, utiliser une alimentation protégée par un dispositif à courant différentiel résiduel (RCD).** L'usage d'un RCD réduit le risque de choc électrique.

2.3 Sécurité des personnes

- Rester vigilant, regarder ce que vous êtes en train de faire et faire preuve de bon sens dans votre utilisation de l'outil électrique. Ne pas utiliser un outil électrique lorsque vous êtes fatigué ou sous l'emprise de drogues, de l'alcool ou de médicaments.** Un moment d'inattention en cours d'utilisation d'un outil électrique peut entraîner des blessures graves.
- Utiliser un équipement de protection individuelle. Toujours porter une protection pour les yeux.** Les équipements de protection individuelle tels que les masques contre les poussières, les chaussures de sécurité

antidérapantes, les casques ou les protections auditives utilisés pour les conditions appropriées réduisent les blessures.

c) **Éviter tout démarrage intempestif. S'assurer que l'interrupteur est en position arrêté avant de brancher l'outil au secteur et/ou au bloc de batteries, de le ramasser ou de le porter.** Porter les outils électriques en ayant le doigt sur l'interrupteur ou brancher des outils électriques dont l'interrupteur est en position marche est source d'accidents

d) **Retirer toute clé de réglage avant de mettre l'outil électrique en marche.** Une clé laissée fixée sur une partie tournante de l'outil électrique peut donner lieu à des blessures.

e) **Ne pas se précipiter. Garder une position et un équilibre adaptés à tout moment.** Cela permet un meilleur contrôle de l'outil électrique dans des situations inattendues.

f) **S'habiller de manière adaptée. Ne pas porter de vêtements amples ou de bijoux. Garder les cheveux et les vêtements à distance des parties en mouvement.** Des vêtements amples, des bijoux ou les cheveux longs peuvent être pris dans des parties en mouvement.

g) **Si des dispositifs sont fournis pour le raccordement d'équipements pour l'extraction et la récupération des poussières, s'assurer qu'ils sont connectés et correctement utilisés.** Utiliser des collecteurs de poussière peut réduire les risques dus aux poussières.

h) **Rester vigilant et ne pas négliger les principes de sécurité de l'outil sous prétexte que vous avez l'habitude de l'utiliser.** Une fraction de seconde d'inattention peut provoquer une blessure grave.

2.4 Utilisation et entretien de l'outil électrique

a) **Ne pas forcer l'outil électrique. Utiliser l'outil électrique adapté à votre application.** L'outil électrique adapté réalise mieux le travail et de manière plus sûre au régime pour lequel il a été construit.

b) **Ne pas utiliser l'outil électrique si l'interrupteur ne permet pas de passer de l'état de marche à arrêté et inversement.** Tout outil électrique qui ne peut pas être commandé par l'interrupteur est dangereux et il faut le réparer.

c) **Débrancher la fiche de la source d'alimentation et/ou enlever le bloc de batteries, s'il est amovible, avant tout réglage, changement d'accessoires ou avant de ranger l'outil électrique.** De telles mesures de sécurité préventives réduisent le risque de démarrage accidentel de l'outil électrique.

d) **Conserver les outils électriques à l'arrêt hors de la portée des enfants et ne pas permettre à des personnes ne connaissant pas l'outil électrique ou les présentes instructions de le faire fonctionner.** Les outils électriques sont dangereux entre les mains d'utilisateurs novices.

e) **Observer la maintenance des outils électriques et des accessoires.** Vérifier qu'il n'y a pas de mauvais alignement ou de blocage des parties mobiles, des pièces cassées ou toute autre condition pouvant affecter le

fonctionnement de l'outil électrique. En cas de dommages, faire réparer l'outil électrique avant de l'utiliser.

De nombreux accidents sont dus à des outils électriques mal entretenus

f) **Garder affûtés et propres les outils permettant de couper.** Des outils destinés à couper correctement entretenus avec des pièces coupantes tranchantes sont moins susceptibles de bloquer et sont plus faciles à contrôler.

g) **Utiliser l'outil électrique, les accessoires et les lames etc., conformément à ces instructions, en tenant compte des conditions de travail et du travail à réaliser.** L'utilisation de l'outil électrique pour des opérations différentes de celles prévues peut donner lieu à des situations dangereuses.

h) **Il faut que les poignées et les surfaces de préhension restent sèches, propres et dépourvues d'huiles et de graisses.** Des poignées et des surfaces de préhension glissantes rendent impossibles la manipulation et le contrôle en toute sécurité de l'outil dans les situations inattendues.

2.5 Utilisation des outils fonctionnant sur batteries et précautions d'emploi

a) **Ne recharger qu'avec le chargeur spécifié par le fabricant.** Un chargeur qui est adapté à un type de bloc de batteries peut créer un risque de feu lorsqu'il est utilisé avec un autre type de bloc de batteries.

b) **N'utiliser les outils électriques qu'avec des blocs de batteries spécifiquement désignés.** L'utilisation de tout autre bloc de batteries peut créer un risque de blessure et de feu.

c) **Lorsqu'un bloc de batteries n'est pas utilisé, le maintenir à l'écart de tout autre objet métallique, par exemple trombones, pièces de monnaie, clés, clous, vis ou autres objets de petite taille qui peuvent donner lieu à une connexion d'une borne à une autre.** Le court-circuitage des bornes d'une batterie entre elles peut causer des brûlures ou un feu.

d) **Dans de mauvaises conditions, du liquide peut être éjecté de la batterie ; éviter tout contact.** En cas de contact accidentel, nettoyer à l'eau. Si le liquide entre en contact avec les yeux, rechercher en plus une aide médicale. Le liquide éjecté des batteries peut causer des irritations ou des brûlures.

e) **Ne pas utiliser un bloc de batteries ou un outil fonctionnant sur batteries qui a été endommagé ou modifié.** Les batteries endommagées ou modifiées peuvent avoir un comportement imprévisible provoquant un feu, une explosion ou un risque de blessure.

f) **Ne pas exposer un bloc de batteries ou un outil fonctionnant sur batteries au feu ou à une température excessive.** Une exposition au feu ou à une température supérieure à 130 °C peut provoquer une explosion.

g) **Suivre toutes les instructions de charge et ne pas charger le bloc de batteries ou l'outil fonctionnant sur batteries hors de la plage de températures spécifiée dans les instructions.** Un chargement incorrect ou à des températures hors de la plage spécifiée de températures peut

endommager la batterie et augmenter le risque de feu.

2.6 Maintenance et entretien

- a) **Faire entretenir l'outil électrique par un réparateur qualifié utilisant uniquement des pièces de rechange identiques.** *Cela assure le maintien de la sécurité de l'outil électrique.*
- b) **Ne jamais effectuer d'opération d'entretien sur des blocs de batteries endommagés.** *Il convient que l'entretien des blocs de batteries ne soit effectué que par le fabricant ou les fournisseurs de service autorisés.*

3. Consignes de sécurité particulières

PRUDENCE! Cet appareil ne convient pas à l'aspiration de poussières dangereuses.

PRUDENCE! Cet appareil est destiné exclusivement à une utilisation à sec; il ne devra être ni utilisé ni stocké à l'extérieur dans un environnement humide.

Si le système d'aspiration de poussières intégré est défectueux:

Retirer le système d'aspiration de poussières intégré du marteau perforateur.

Retirer la batterie de l'outil avant toute opération de réglage, de changement d'accessoire, de maintenance ou de nettoyage.

Porter une protection auditive. Le bruit est susceptible de provoquer une perte de capacité auditive.

Porter systématiquement des lunettes de protection, des gants et des chaussures solides pour les travaux avec le système d'aspiration de poussières intégré!

Ne pas toucher l'accessoire pendant qu'il tourne!

La poussière accumulée dans le système d'aspiration de poussières intégré peut notamment contenir de la poussière de silice. ces poussières contenant du quartz sont cancérigènes et il faut éviter leur pénétration dans le corps. Pour vider le bac à poussière et éliminer la poussière, veiller à éviter toute formation de tourbillons de poussière et toute inhalation.

Avertissements additionnels :

⚠ AVERTISSEMENT Certaines poussières produites par le ponçage électrique, le sciage, le meulage, le perçage et d'autres activités de construction contiennent des agents chimiques qui causent des cancers, des anomalies congénitales ou d'autres dangers pour la reproduction. Voici quelques exemples de tels agents chimiques :

- Le plomb des peintures à base de plomb,
- La silice cristalline des briques, du ciment et d'autres produits de maçonnerie, et
- L'arsenic et le chrome du bois d'œuvre traité chimiquement.

Les conséquences de telles expositions varient en fonction de la fréquence à laquelle vous faites ce type de travail. Pour réduire votre exposition à ces agents chimiques, travaillez dans un endroit bien ventilé et utilisez des équipements de protection agréés, tels que les masques de protection contre la poussière qui sont conçus spécialement pour filtrer les particules microscopiques.

Symboles sur l'outil:

V volts

== courant continu

4. Vue d'ensemble

Voir page 2.

- 1 Marteau perforateur
- 2 Recouvrement en caoutchouc du marteau perforateur
- 3 Cache de fermeture de transport
- 4 Rainures de guidage (pour déplacer le système d'aspiration de poussières intégré)
- 5 Système d'aspiration de poussières intégré
- 6 Bouton de déverrouillage (pour retirer le système d'aspiration de poussières intégré du marteau perforateur)
- 7 Tête d'aspiration
- 8 Bouton-poussoir de fin de course
- 9 Tube télescopique
- 10 Bouton-poussoir pour régler la butée de profondeur
- 11 Butée de profondeur
- 12 Cassette de réception des poussières
- 13 Coulisse de déverrouillage (pour retirer le bac à poussière)
- 14 Bouton de déverrouillage (pour retirer la tête d'aspiration)
- 15 Bride de serrage
- 16 Filtre HEPA (H12 selon EN 1822-1998)

5. Utilisation

5.1 Installation / retrait / transport sur le marteau perforateur

Fixation:

1. **Important! Soulever le recouvrement en caoutchouc (2) du marteau perforateur (1) et le tourner à 180° sur le côté.** L'alimentation électrique est alors accessible.
2. Insérer le système d'aspiration de poussières intégré (5) par le bas dans les rainures de guidage (4) et le déplacer jusqu'à ce qu'il s'enclenche.

Démontage:

1. Appuyer sur le bouton de déverrouillage (6) et le maintenir enfoncé. Retirer le système d'aspiration de poussières intégré.
2. Refermer l'alimentation électrique du marteau perforateur (1) avec le recouvrement en caoutchouc (2). (Pour éviter les infiltrations d'impuretés).

Transport dans l'étui:

Afin qu'il n'y ait pas de fuite de poussière lors du transport dans l'étui: Placer le cache de fermeture de transport (3) sur la tête d'aspiration (6).

5.2 Insérer le foret

1. Enficher le foret avec la pointe du foret par l'arrière dans la tête d'aspiration (7).
2. Insérer la tige du foret dans le mandrin de perçage (comme décrit dans le manuel du marteau perforateur).

5.3 Régler la limite de course (si nécessaire)

La limite de course permet d'adapter le système d'aspiration de poussières intégré aux forets courts.

Appuyer sur le bouton-poussoir (8) de la limite de course et le maintenir enfoncé. Déplacer le tube télescopique (9) et régler ainsi la limite de course souhaitée (par pas de 5 mm).

Remarque: Lorsque vous n'utilisez pas l'aspiration de poussière intégrée, laissez la limitation de course dans la position arrière afin de délester le ressort de pression intérieur.

5.4 Régler la butée de profondeur (si nécessaire)

Appuyer sur le bouton-poussoir (10) de la butée de profondeur (11) et le maintenir enfoncé. Déplacer la butée de profondeur (11) et régler la profondeur maximum.

5.5 Marche/arrêt

Marche: appuyer sur l'interrupteur du marteau perforateur : le système d'aspiration de poussières intégré s'allume automatiquement.

Arrêt: relâcher l'interrupteur du marteau perforateur : le système d'aspiration de poussières intégré s'éteint automatiquement.


La temporisation d'extinction d'environ 2 secondes permet d'aspirer les résidus de poussière sur le foret, dans le trou de perçage et dans le système d'aspiration dans le bac à poussière.


5.6 Percer avec le système d'aspiration de poussières intégré


1. Tirer le tube télescopique en arrière (9) jusqu'à ce que le foret dépasse à l'avant.
2. Appliquer le foret à l'endroit voulu.
3. Placer la tête d'aspiration (7) à plat sur la surface.
4. Maintenir la machine à la verticale par rapport à la surface de perçage (le mur par ex.), afin que la tête d'aspiration (7) soit toujours à plat sur la surface.
5. Tenir fermement la machine, l'activer (percer lentement) et percer le trou.
6. Retirer lentement le foret du trou percé.
7. Arrêter l'outil.

6. Nettoyage, maintenance**6.1 Vider le bac à poussière**

Si le bac à poussière est plein (12) ou en cas de baisse de puissance d'aspiration, vider le (12) bac à poussière.

 Veillez à ce qu'il n'y ait pas de poussière dans votre corps ou qu'elle ne gêne pas d'autres personnes.

 Toujours tenir la machine droite, ne pas la coucher! Si le bac à poussière (12) est retiré alors que la machine est couchée, de la poussière de perçage peut s'échapper!

 Ne pas retirer le filtre (16) du bac à poussière (12). Ne pas souffler avec de l'air comprimé!

1. Maintenir la machine à l'horizontale et allumer brièvement la machine. Les résidus de poussière dans le système d'aspiration sont ainsi aspirés dans le bac à poussière.
2. Arrêter l'outil. Sortir la batterie de la machine.
3. Déplacer la coulisse de déverrouillage (13) vers l'arrière et retirer le bac à poussière (12) vers le bas.
4. Vider le bac à poussière (12) en tapotant légèrement.
5. Remettre le bac à poussière en place (12) jusqu'à ce qu'il s'enclenche à nouveau.

6.2 Nettoyage du moteur

Retirer le bac à poussière (12) de temps en temps. Si de la poussière s'est accumulée sur les fentes d'aération (à l'intérieur du système d'aspiration de poussières intégré): aspirer minutieusement.

6.3 Remplacer une tête d'aspiration (7) usée

1. Voir page 3, fig. A.
Appuyer sur le bouton de déverrouillage (14) et le maintenir enfoncé. Tirer la tête d'aspiration (7) vers le haut.
2. Insérer la nouvelle tête d'aspiration jusqu'à ce qu'elle s'enclenche.

6.4 Remplacer un filtre (16) usé

1. Voir page 3, fig. B.
Insérer un tournevis plat, comme indiqué, et tourner légèrement: le support de la bride de serrage (15) est alors désenclenché et la bride de serrage (15) peut être retirée.
Si vous ne disposez pas d'un tournevis, la bride de serrage (15) peut aussi être retirée de son support sans outil.
2. Retirer l'ancien filtre (16), insérer le nouveau filtre (réf.: 6.23768).
3. Voir page 3, fig. C.
Insérer la bride de serrage (15) comme indiqué: l'accrocher en bas dans le support pivotant et l'enfoncer en haut jusqu'à ce qu'elle s'enclenche.

7. Accessoires

Utiliser uniquement des accessoires originaux Metabo.

Utiliser exclusivement des accessoires, qui sont conformes aux exigences et aux données caractéristiques indiquées dans la présente notice d'utilisation.

Gamme d'accessoires complète, voir www.metabo.com ou catalogue.

8. Réparations



Les travaux de réparation sur les outils électriques peuvent uniquement être effectués par un électricien!

Pour toute réparation sur un outil Metabo, contactez le représentant Metabo. Voir les adresses sur www.metabo.com.

Les listes des pièces détachées peuvent être téléchargées sur www.metabo.com.

9. Protection de l'environnement

Suivez les réglementations nationales concernant l'élimination écologique et le recyclage des machines, des emballages et des accessoires.

10. Caractéristiques techniques

Commentaires sur les indications de la page 3.

Sous réserve de modifications résultant de progrès techniques.

P_1	= puissance absorbée
V_l/min	= puissance d'aspiration
m	= poids
H_{max}	= course maximum ou course télescopique
T_{max}	= profondeur de perçage maximum
D	= diamètre du foret

Les caractéristiques techniques indiquées sont soumises à tolérance (selon les normes en vigueur correspondantes).

== Courant continu

Pendant le fonctionnement, il se peut que le niveau sonore dépasse les 80 db(A).



Porter des protège-oreilles!

Instrucciones de manejo

1. Uso según su finalidad

ISA 18 LTX 24: El aspirador de polvo integrado está destinado a su uso con el taladro combinado Metabo KHA 18 LTX BL 24 Quick.

ISA 24: El aspirador de polvo integrado está destinado a su uso con el taladro combinado Metabo KH 18 LTX BL 24 Q.

ISA 28: El aspirador de polvo integrado está destinado a su uso con el taladro combinado Metabo KH 18 LTX BL 28 Q.

El aspirador de polvo integrado sólo debe utilizarse al taladrar con broca de martillos perforadores en hormigón, piedra o mampostería. No utilizar en trabajos de cincelado.

No indicado para aspirar polvo de trabajos de taladrado en metal, madera, plástico o materiales similares. No indicado para aspirar clases de polvo o vapores perjudiciales para la salud (p. ej. asbesto).

No utilizar nunca el aspirador mojado.

Los posibles daños derivados de un uso inadecuado son responsabilidad exclusiva del usuario.

Se deberán respetar las normas sobre prevención de accidentes generalmente aceptadas y las indicaciones de seguridad aquí incluidas.

2. Recomendaciones generales de seguridad



Por favor, por su propia protección y la de su herramienta eléctrica, preste especial atención a las partes marcadas con este símbolo.



ADVERTENCIA: Lea el manual de instrucciones para reducir el riesgo de accidentes.

Si entrega su herramienta eléctrica a otra persona, es imprescindible acompañarla de este documento.

Advertencias de peligro generales para herramientas eléctricas



ADVERTENCIA Lea íntegramente las advertencias de peligro, las instrucciones, las ilustraciones y las especificaciones entregadas con esta herramienta eléctrica. *En caso de no atenerse a las instrucciones siguientes, ello puede ocasionar una descarga eléctrica, un incendio y/o una lesión grave.*

Guardar todas las advertencias de peligro e instrucciones para futuras consultas. *El término "herramienta eléctrica" empleado en las siguientes advertencias de peligro se refiere a herramientas eléctricas de conexión a la red (con cable de red) y a herramientas eléctricas accionadas por acumulador (sin cable de red).*

2.1 Seguridad del puesto de trabajo

a) **Mantenga limpio y bien iluminado su puesto de trabajo.** *El desorden o una iluminación deficiente en las áreas de trabajo pueden provocar accidentes.*

b) **No utilice la herramienta eléctrica en un entorno con peligro de explosión, en el que se encuentren combustibles líquidos, gases o material en polvo.** *Las herramientas eléctricas producen chispas que pueden llegar a inflamar los materiales en polvo o vapores.*

c) **Mantenga alejados a los niños y otras personas de su puesto de trabajo al emplear la herramienta eléctrica.** *Una distracción le puede hacer perder el control sobre la herramienta eléctrica.*

2.2 Seguridad eléctrica

a) **El enchufe de la herramienta eléctrica debe corresponder a la toma de corriente utilizada. No es admisible modificar el enchufe en forma alguna. No emplear adaptadores en herramientas eléctricas dotadas con una toma de tierra.** *Los enchufes sin modificar adecuados a las respectivas tomas de corriente reducen el riesgo de una descarga eléctrica.*

b) **Evite que su cuerpo toque partes conectadas a tierra como tuberías, radiadores, cocinas y refrigeradores.** *El riesgo a quedar expuesto a una sacudida eléctrica es mayor si su cuerpo tiene contacto con tierra.*

c) **No exponga la herramienta eléctrica a la lluvia y evite que penetren líquidos en su interior.** *Existe el peligro de recibir una descarga eléctrica si penetran ciertos líquidos en la herramienta eléctrica.*

d) **No utilice el cable de red para transportar o colgar la herramienta eléctrica, ni tire de él para sacar el enchufe de la toma de corriente. Mantenga el cable de red alejado del calor, aceite, esquinas cortantes o piezas móviles.** *Los cables de red dañados o enredados pueden provocar una descarga eléctrica.*

e) **Al trabajar con la herramienta eléctrica a la intemperie utilice solamente cables de prolongación apropiados para su uso en exteriores.** *La utilización de un cable de prolongación adecuado para su uso en exteriores reduce el riesgo de una descarga eléctrica.*

f) **Si fuese imprescindible utilizar la herramienta eléctrica en un entorno húmedo, es necesario conectarla a través de un fusible diferencial.** *La aplicación de un fusible diferencial reduce el riesgo a exponerse a una descarga eléctrica.*

2.3 Seguridad de personas

a) **Esté atento a lo que hace y emplee la herramienta eléctrica con prudencia. No utilice la herramienta eléctrica si estuviese cansado, ni tampoco después de haber consumido alcohol, drogas o medicamentos.** *El no estar atento durante el uso de la herramienta eléctrica puede provocarle serias lesiones.*

b) **Utilice un equipo de protección personal y en todo caso unas gafas de protección.** *El riesgo a lesionarse se reduce considerablemente si, dependiendo del tipo y la aplicación de la herramienta eléctrica empleada, se utiliza un equipo de protección adecuado como una mascarilla antipolvo, zapatos de seguridad con suela antideslizante, casco, o protectores auditivos.*

c) **Evite una puesta en marcha fortuita. Asegurarse de que la herramienta eléctrica esté desconectada antes de conectarla a la toma de corriente y/o al montar el acumulador, al recogerla, y al transportarla.** *Si transporta la herramienta eléctrica sujetándola por el interruptor de conexión/desconexión, o si alimenta la herramienta eléctrica estando ésta conectada, ello puede dar lugar a un accidente.*

d) **Retire las herramientas de ajuste o llaves fijas antes de conectar la herramienta eléctrica.** *Una herramienta de ajuste o llave fija colocada en una pieza rotante puede producir lesiones al poner a funcionar la herramienta eléctrica.*

e) **Evite posturas arriesgadas. Trabaje sobre una base firme y mantenga el equilibrio en todo momento.** *Ello le permitirá controlar mejor la herramienta eléctrica en caso de presentarse una situación inesperada.*

f) **Lleve puesta una vestimenta de trabajo adecuada. No utilice vestimenta amplia ni joyas. Mantenga su pelo y vestimenta alejados de las piezas móviles.** *La vestimenta suelta, el pelo largo y las joyas se pueden enganchar con las piezas en movimiento.*

g) **Siempre que sea posible utilizar unos equipos de aspiración o captación de polvo, asegúrese que éstos estén montados y que sean utilizados correctamente.** *El empleo de estos equipos reduce los riesgos derivados del polvo.*

h) **No permita que la familiaridad ganada por el uso frecuente de la herramienta eléctrica lo deje creerse seguro e ignorar las normas de seguridad.** *Una acción negligente puede causar lesiones graves en una fracción de segundo.*

2.4 Uso y trato cuidadoso de herramientas eléctricas

a) **No sobrecargue la herramienta eléctrica. Use la herramienta eléctrica prevista para el trabajo a realizar.** *Con la herramienta eléctrica adecuada podrá trabajar mejor y más seguro dentro del margen de potencia indicado.*

b) **No utilice herramientas eléctricas con un interruptor defectuoso.** *Las herramientas eléctricas que no se puedan conectar o desconectar son peligrosas y deben hacerse reparar.*

c) **Saque el enchufe de la red y/o retire el acumulador desmontable de la herramienta eléctrica, antes de realizar un ajuste, cambiar de accesorio o al guardar la herramienta eléctrica.** *Esta medida preventiva reduce el riesgo a conectar accidentalmente la herramienta eléctrica.*

d) **Guarde las herramientas eléctricas fuera del alcance de los niños. No permita la utilización**

de la herramienta eléctrica a aquellas personas que no estén familiarizadas con su uso o que no hayan leído estas instrucciones. *Las herramientas eléctricas utilizadas por personas inexpertas son peligrosas.*

e) **Cuide la herramienta eléctrica y los accesorios con esmero. Controle si funcionan correctamente, sin atascarse, las partes móviles de la herramienta eléctrica, y si existen partes rotas o deterioradas que pudieran afectar al funcionamiento de la herramienta eléctrica.** *Haga reparar estas piezas defectuosas antes de volver a utilizar la herramienta eléctrica. Muchos de los accidentes se deben a herramientas eléctricas con un mantenimiento deficiente.*

f) **Mantenga los útiles limpios y afilados.** *Los útiles mantenidos correctamente se dejan guiar y controlar mejor.*

g) **Utilice la herramienta eléctrica, accesorios, útiles, etc. de acuerdo a estas instrucciones, considerando en ello las condiciones de trabajo y la tarea a realizar.** *El uso de herramientas eléctricas para trabajos diferentes de aquellos para los que han sido concebidas puede resultar peligroso.*

h) **Mantenga las empuñaduras y las superficies de las empuñaduras secas, limpias y libres de aceite y grasa.** *Las empuñaduras y las superficies de las empuñaduras resbaladizas no permiten un manejo y control seguro de la herramienta eléctrica en situaciones imprevistas.*

2.5 Trato y uso cuidadoso de herramientas accionadas por acumulador

a) **Solamente cargar los acumuladores con los cargadores recomendados por el fabricante.** *Existe un riesgo de incendio al intentar cargar acumuladores de un tipo diferente al previsto para el cargador.*

b) **Solamente emplee los acumuladores previstos para la herramienta eléctrica.** *El uso de otro tipo de acumuladores puede provocar daños e incluso un incendio.*

c) **Si no utiliza el acumulador, guárdelo separado de clips, monedas, llaves, clavos, tornillos o demás objetos metálicos que pudieran puentear sus contactos.** *El cortocircuito de los contactos del acumulador puede causar quemaduras o un incendio.*

d) **La utilización inadecuada del acumulador puede provocar fugas de líquido. Evite el contacto con él. En caso de un contacto accidental enjuagar el área afectada con abundante agua. En caso de un contacto con los ojos recurra además inmediatamente a un médico.** *El líquido del acumulador puede irritar la piel o producir quemaduras.*

e) **No emplee acumuladores o útiles dañados o modificados.** *Los acumuladores dañados o modificados pueden comportarse en forma imprevisible y producir un fuego, explosión o peligro de lesión.*

f) **No exponga un acumulador o una herramienta eléctrica al fuego o a una temperatura demasiado alta.** *La exposición al fuego o a temperatura sobre 130 °C puede causar*

una explosión.

g) **Siga todas las instrucciones para la carga y no cargue nunca el acumulador o la herramienta eléctrica a una temperatura fuera del margen correspondiente especificado en las instrucciones.** Una carga inadecuada o a temperaturas fuera del margen especificado puede dañar el acumulador y aumentar el riesgo de incendio.

2.6 Servicio

a) **Únicamente haga reparar su herramienta eléctrica por un profesional, empleando exclusivamente piezas de repuesto originales.** Solamente así se mantiene la seguridad de la herramienta eléctrica.

b) **No repare los acumuladores dañados.** El entretenimiento de los acumuladores sólo debe ser realizado por el fabricante o un servicio técnico autorizado.

3. Indicaciones especiales de seguridad

¡ATENCIÓN! Este aparato no está indicado para la aspiración de polvo peligroso.

¡ATENCIÓN! No utilice nunca el aparato mojado ni lo use o almacene al aire libre en ambientes de humedad.

En caso de que el aspirador de polvo integrado esté defectuoso:

Retire el aspirador de polvo integrado del martillo perforador.

Extraiga la batería de la herramienta antes de llevar a cabo cualquier ajuste, reequipamiento, trabajo de mantenimiento o limpieza.

Lleve puestos cascos protectores. El efecto del ruido puede provocar pérdida auditiva.

Lleve siempre puestas gafas protectoras, guantes de trabajo y calzado firme cuando trabaje con el aspirador de polvo integrado.

¡No toque la herramienta de inserción en rotación!

El polvo acumulado en el aspirador de polvo integrado puede contener, entre otros tipos, polvo fino de cuarzo. EL polvo fino de cuarzo es cancerígeno y no debe entrar en contacto con el cuerpo. Al vaciar el cartucho colector de polvo y eliminar los restos de polvo, evite levantar polvo y respirarlo.

Advertencias adicionales:

⚠ ADVERTENCIA Algunos polvos generados por el lijado, aserrado, amolado o taladrado con herramientas eléctricas y otras actividades de construcción contienen sustancias químicas que se sabe que causan cáncer, defectos de nacimiento y otros daños sobre la reproducción. Algunos ejemplos de estas sustancias químicas son:

- Plomo procedente de pinturas a base de plomo,
- Sílice cristalina procedente de ladrillos y cemento, así como de otros productos de

mampostería, y

- Arsénico y cromo procedentes de madera de construcción tratada químicamente.

El riesgo para usted por estas exposiciones varía, dependiendo de qué tan a menudo haga este tipo de trabajo. Para reducir su exposición a estas sustancias químicas: trabaje en un área bien ventilada y trabaje con equipo de seguridad aprobado, como por ejemplo las máscaras antipolvo que están diseñadas especialmente para impedir mediante filtración el paso de partículas microscópicas.

Símbolos sobre la herramienta:

V.....voltios

==.....corriente corriente continua

4. Descripción general

Véase la página 2.

- 1 Martillo perforador
- 2 Cubierta de goma del martillo perforador
- 3 Tapa de cierre para el transporte
- 4 Ranuras guía (para empujar el aspirador de polvo integrado)
- 5 Aspirador de polvo integrado
- 6 Botón de desbloqueo (para extraer el aspirador de polvo integrado del martillo perforador)
- 7 Cabezal de aspiración
- 8 Pulsador limitador de carrera
- 9 Tubo telescópico
- 10 Pulsador para ajustar el tope de profundidad
- 11 Tope de profundidad de taladro
- 12 Cartucho colector de polvo
- 13 Corredera de desbloqueo (para retirar el cartucho colector de polvo)
- 14 Botón de desbloqueo (para retirar el cabezal aspirador)
- 15 Brida de fijación
- 16 Filtro HEPA (H12 conforme a EN 1822-1998)

5. Manejo

5.1 Montaje/desmontaje/transporte en el martillo perforador

Montaje:

1. **¡Importante! Eleve la cubierta de goma del (2) martillo perforador (1) y gírela 180° hacia el lado.** De este modo, podrá acceder a la alimentación eléctrica.
2. Inserte el aspirador de polvo integrado (5) desde abajo en las ranuras guía (4) y empujelo hasta que encaje.

Desmontaje:

1. Presione el botón de desbloqueo (6) y manténgalo pulsado. Saque el aspirador de polvo integrado.
2. Vuelva a cubrir la alimentación eléctrica del martillo perforador (1) con la cubierta de goma (2). (para impedir que penetre el polvo).

Transporte en el maletín:

Para que no salga polvo durante el transporte en el maletín, coloque la tapa de cierre para el transporte (3) en el cabezal de aspiración (6).

5.2 Instalación de la broca

1. Introduzca la broca con la punta desde atrás a través del cabezal de aspiración (7).
2. Introduzca el vástago de la broca en el portabrocas de martillo (como se describe en el manual de instrucciones del martillo perforador).

5.3 Ajuste del limitador de carrera (si es necesario)

Con el limitador de carrera se puede adaptar el aspirador de polvo integrado a una broca corta.

Presione el pulsador limitador de carrera (8) y manténgalo presionado. Desplace el tubo telescópico (9) ajustando el límite de carrera deseado (en pasos de 5 mm).

Nota: En caso de que no se emplee la aspiradora de polvo integrada, dejar el límite de carrera en la posición inicial trasera para descargar el resorte interior.

5.4 Ajuste del tope de profundidad de taladro (si es necesario)

Presione el pulsador (10) del tope de profundidad de taladro (11) y manténgalo presionado. Desplace el tope de profundidad de taladro (11) ajustando la profundidad de taladrado máxima.

5.5 Conexión/Desconexión (On/Off)

Conexión: pulse el interruptor del martillo perforador: el aspirador de polvo integrado se conectará de forma automática.

Desconexión: suelte el interruptor del martillo perforador: el aspirador de polvo integrado se desconectará de forma automática.

Con un retardo de desconexión de aprox. 2 seg., se aspirarán los restos de polvo del perforador, el orificio de perforación y el sistema de aspiración en el cartucho colector de polvo.

5.6 Perforado con el aspirador de polvo integrado

1. Tire hacia atrás del tubo telescópico (9) hasta que la broca sobresalga por delante.
2. Sitúe la broca en la posición deseada.
3. Coloque el cabezal aspiración (7) plano sobre la superficie.
4. Sujete la herramienta en posición perpendicular a la superficie de perforación (por ejemplo, la pared), de modo que el cabezal de aspiración (7) quede plano sobre la superficie en todo momento.
5. Sujete la herramienta con fuerza, conéctela (perforado lento) e inicie la perforación.
6. Retire lentamente la broca del orificio de perforación.
7. Desconecte la máquina.

6. Limpieza, mantenimiento

6.1 Vaciado del cartucho colector de polvo

El cartucho colector de polvo (12) se deberá vaciar si el cartucho colector de polvo (12) está lleno o se reduce la potencia de aspiración.



Evite que el polvo de la perforación le llegue al cuerpo o que perjudique a otras personas.



Mantenga la máquina en posición vertical y no la tumbe. Si el cartucho colector de polvo (12) se retira con la máquina en posición horizontal, puede desprender polvo.



No saque el filtro (16) del cartucho colector de polvo (12). No proyecte aire comprimido.

1. Mantenga la máquina en posición horizontal y conéctela brevemente. De esta forma se aspirarán los restos de polvo del sistema de aspiración en el cartucho colector de polvo.
2. Desconecte la máquina. Extraiga el acumulador de la máquina.
3. Desplace hacia atrás la corredera de desbloqueo (13) y extraiga el cartucho colector de polvo (12) tirando de él hacia abajo.
4. Vacíe el cartucho colector de polvo (12) sacudiéndolo ligeramente.
5. Vuelva a colocar el cartucho colector de polvo (12) hasta que encaje.

6.2 Limpieza del motor

Retire el cartucho colector de polvo (12) cada cierto tiempo. Si se acumula el polvo en las ranuras de ventilación (en la zona interior del aspirador de polvo integrado) aspiremos en profundidad.

6.3 Cambio del cabezal de aspiración (7) desgastado

1. Véase pág. 3, fig. A. Mantenga pulsado el botón de desbloqueo (14). Saque el cabezal de aspiración (7) hacia arriba.
2. Coloque el nuevo cabezal de aspiración hasta que encaje.

6.4 Cambio del filtro (16) desgastado

1. Véase pág. 3, fig. B. Coloque un destornillador de ranura como se indica y gírelo ligeramente: se soltará el soporte de la brida de fijación y se podrá soltar la (15) brida de fijación (15). Si no dispone de un destornillador de ranura, también se puede sacar la brida de fijación (15) del soporte sin herramientas.
2. Retire el filtro antiguo (16) y coloque un nuevo filtro (ref.: 6.23768).
3. Véase pág. 3, fig. C. Coloque la brida de fijación (15) como se indica: cuélguela abajo en el alojamiento giratorio o presiónela hacia arriba hasta que encaje.


7. Accesorios

Utilice únicamente accesorios Metabo originales.

Utilice únicamente accesorios que cumplan los requerimientos y los datos indicados en este manual de instrucciones.

Para consultar el programa completo de accesorios, véase www.metabo.com o nuestro catálogo.

8. Reparaciones

 Las reparaciones de herramientas eléctricas solamente deben ser efectuadas por electricistas especializados.

En caso de tener herramientas eléctricas que necesiten ser reparadas, dirijase por favor a su representante de Metabo. En la página www.metabo.com encontrará las direcciones necesarias.

En la página web www.metabo.com puede usted descargarse las listas de repuestos.

9. Protección del medio ambiente

Cumpla lo estipulado por las normativas nacionales relativas a la gestión ecológica de los residuos y al reciclaje de herramientas, embalaje y accesorios usados.

10. Datos técnicos

Notas explicativas sobre la información de la página 3.

Nos reservamos el derecho a efectuar modificaciones en función de las innovaciones tecnológicas.

P_1 = Potencia de entrada nominal

$V_{I/min}$ = Potencia de aspiración

m = Peso

$H_{máx}$ = Carrera de trabajo y/o telescópica máx.


$\varnothing_{máx}$ = Profundidad de taladrado máxima

D = Diámetro de broca

Las especificaciones técnicas aquí indicadas están sujetas a rangos de tolerancia (conforme a las normas vigentes).

== Corriente continua

Durante el trabajo, el nivel de ruido puede superar los 80 dB(A).

 **¡Use auriculares protectores!**

Metabowerke GmbH
Metabo-Allee 1
72622 Nuertingen
Germany
www.metabo.com

metabo[®]
PROFESSIONAL POWER TOOL SOLUTIONS